

TECHNICAL DATA SHEET



FEATURES & BENEFITS

- Thumb loop cuffs to prevent sleeves from riding up.
- Comfortable fit.
- Sewn seams provide for superior strength.
- Available in a variety of colours and sizes.

RECOMMENDED USE

- Non-Sterile Procedure Isolation Gowns designed to protect health professionals and patients from cross infection.
- Disposable isolation gowns made of polypropylene.

PRODUCT DETAILS

Product Name:	Ritmed® DisTech® Isolation Gown
Product Type:	Single-use, non-sterile
Color:	Yellow
Sizes:	See Appendix 1
Quantity per Bag:	10
Country of Origin:	China

DONNING INSTRUCTIONS

- Perform hand hygiene before removing item from package.
- Select appropriate garment for intended use (length, coverage, fluid resistance, etc.)
- Fasten correctly: tied at neck and waist to ensure comfortable fit, adequate coverage and freedom of movement.
- Protective apparel should not be worn in restrooms, personal offices or break rooms.

DOFFING INSTRUCTIONS

- Remove apparel immediately after use. Do not re-use.
- Perform proper hand hygiene after removing apparel to prevent cross-contamination.
- Turn garment inside out when removing to keep infectious material inside.
- Designate a safe receptacle in which to dispose of protective apparel after use.

CERTIFICATION & STANDARDS

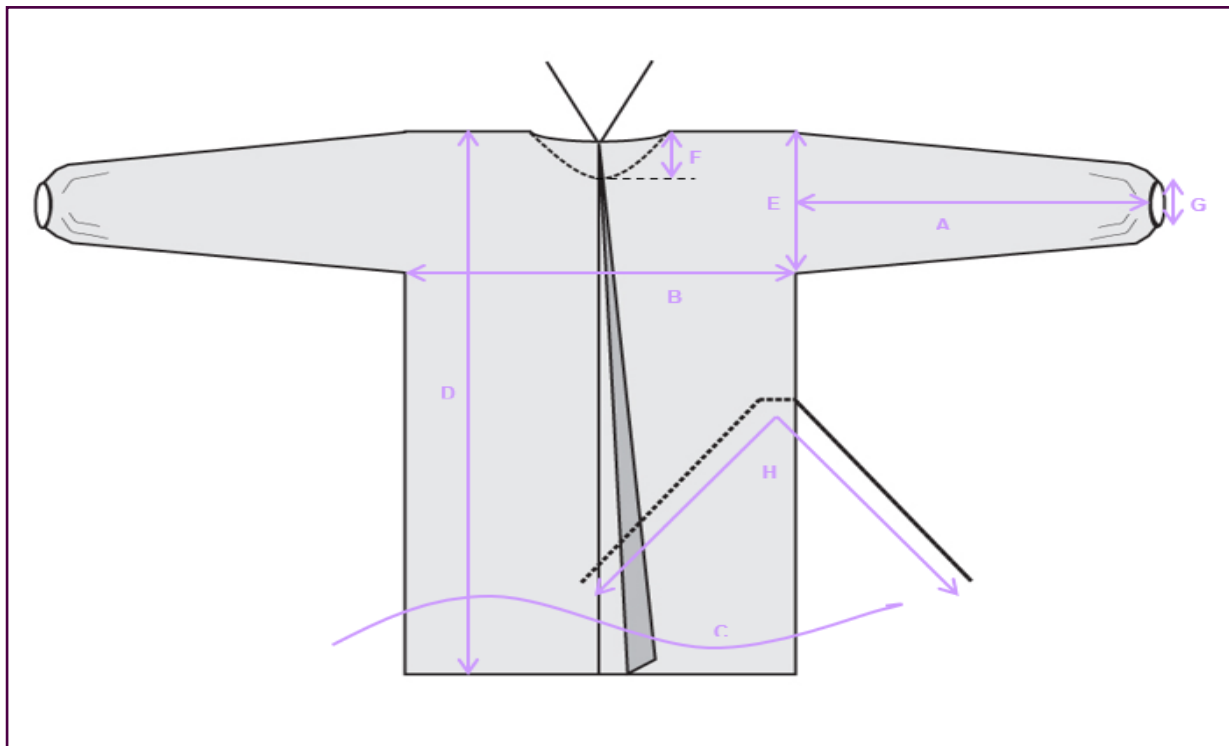
ISO 13485 certified manufacturer.
Class 1 Medical Device.
Health Canada registered medical device manufacturer.

STORAGE CONDITIONS

These gowns should be disposed of after each use.
Store under ambient temperature and dry condition.



GOWN SPECIFICATIONS			
CHARACTERISTIC		SPECIFICATION	
Material Composition		Spunbond Polypropylene. Latex-free	
Description		Gown made of non-woven fabric with full lock closure. Features: String belt, sleeve closed with elastic and tie-on neck closure.	
Part of Gown		Dimension (cm)	
		Regular	X-Large
A	Sleeve Length	58	61
B	Underarm Width	71	77,5
D	Gown Length	110	115
E	Arm Height	28	32
	Tie Length	35	35
G	Stretched Sleeve Width	13	13
H	Belt Length	180	180
	Belt Position	24 below underarm	24 below underarm
	Seam Length	5	5
	Collar Width	24	24
	Shoulder Width	23	26
F	Collar Depth	9	9





Appendix 1 (List of items)

Item Code	Description	Packaging Information	Size	Color	Specific Attribute	Treatment	Marketed in USA as	Marketed in Canada as
D-8009	Ritmed DisTech Isolation Gown	10 Gowns/Bag, 5 Bags/Case, 50 Gowns/Case	Regular	Yellow	Belt on the right	Non-Sterile	Medical Device Class 1	Medical Device Class 1
D-8010	Ritmed DisTech Isolation Gown	10 Gowns/Bag, 5 Bags/Case, 50 Gowns/Case	X-Large	Yellow	Belt on the right	Non-Sterile	Medical Device Class 1	Medical Device Class 1

AMD Medicom Inc. | 2555 Chemin de l'Aviation, Montreal, Quebec, Canada H9P 2Z2